

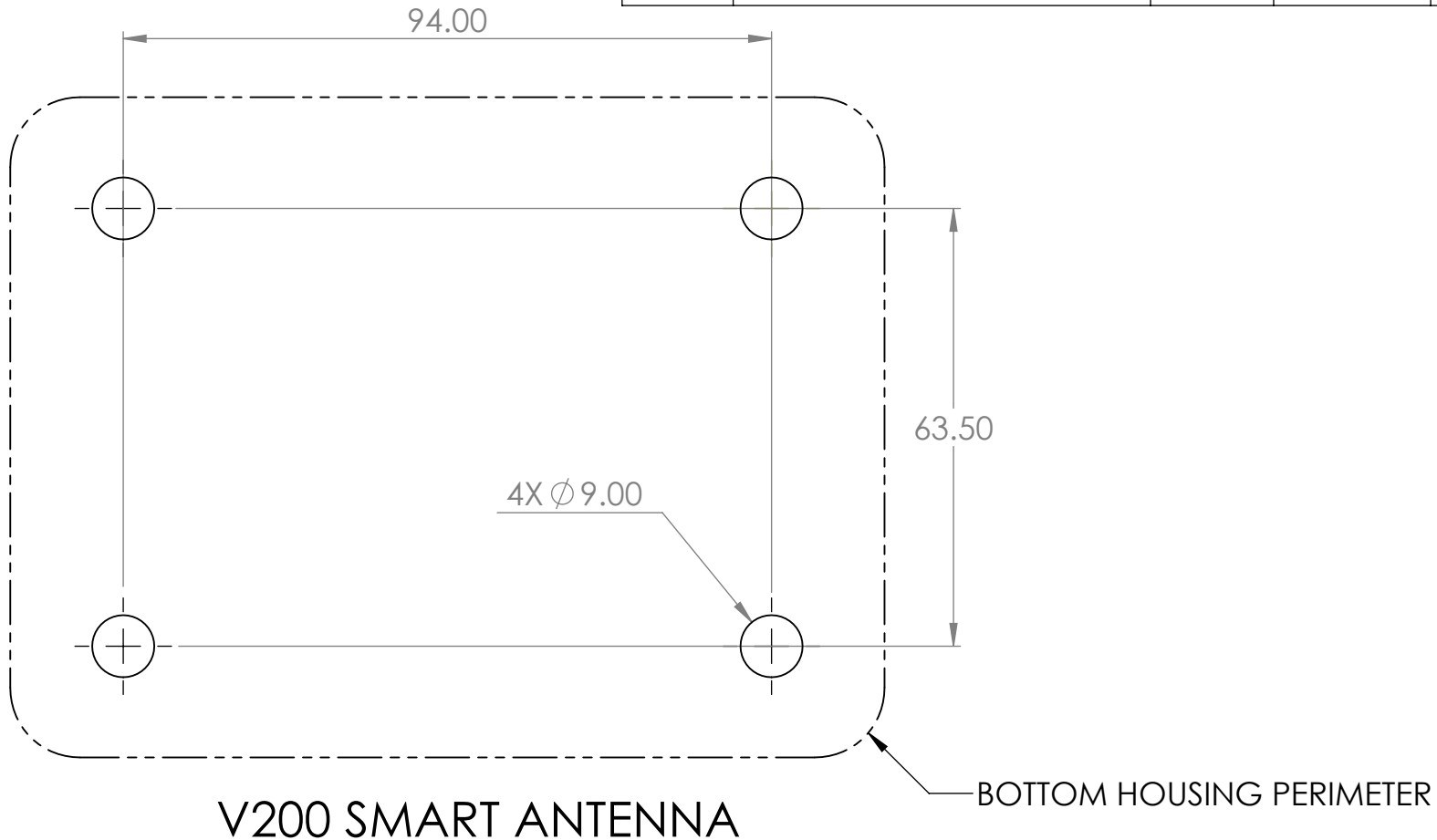
2

1

REVISIONS				
REV REL	DESCRIPTION	DRAWN	APPROVED	DATE
A1	INITIAL RELEASE	PM	LG	21-Feb-20

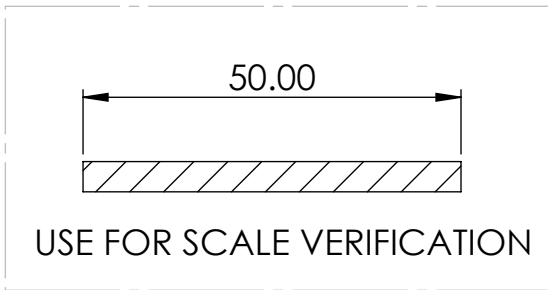
B



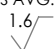
B



A

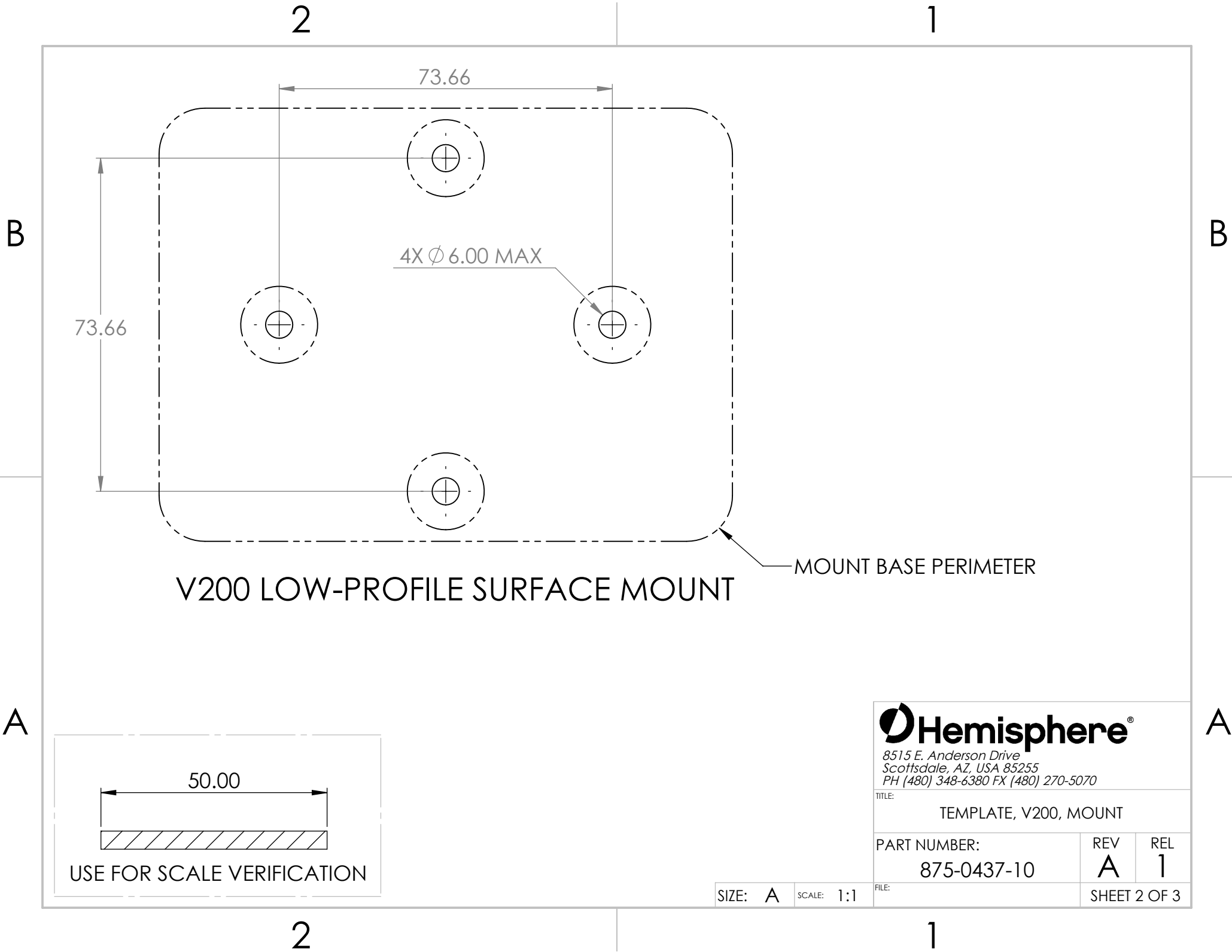
A



DRAWN	SIGNATURE P.MARCIL	DATE 21-FEB-2020	UNLESS OTHERWISE SPECIFIED: DIMENSIONS ARE IN MILLIMETERS TOLERANCES DECIMALS: .X ±1.0 .XX ±0.5 .XXX ±0.25 ANGLES: ±1°	 8515 E. Anderson Drive Scottsdale, AZ, USA 85255 PH (480) 348-6380 FX (480) 270-5070		
APPROVED	L.GECK	21-FEB-2020				
PROPRIETARY AND CONFIDENTIAL			 THIRD ANGLE PROJECTION	TITLE: TEMPLATE, V200, MOUNT		
THE INFORMATION CONTAINED IN THIS DRAWING IS THE SOLE PROPERTY OF HEMISPHERE GNSS. ANY REPRODUCTION IN PART OR AS A WHOLE WITHOUT THE WRITTEN PERMISSION OF HEMISPHERE GNSS IS PROHIBITED.			ROUGHNESS AVG. VALUE (µm)  1.6	PART NUMBER: 875-0437-10	REV A	REL 1
			SIZE: A	SCALE: 1:1	FILE:	SHEET 1 OF 3

2

1



2

1

73.66

B

B

73.66

4X Ø 6.00 MAX

V200 LOW-PROFILE SURFACE MOUNT

MOUNT BASE PERIMETER

A

A

50.00

USE FOR SCALE VERIFICATION

Hemisphere®

8515 E. Anderson Drive
 Scottsdale, AZ, USA 85255
 PH (480) 348-6380 FX (480) 270-5070

TITLE:
 TEMPLATE, V200, MOUNT

PART NUMBER:
 875-0437-10

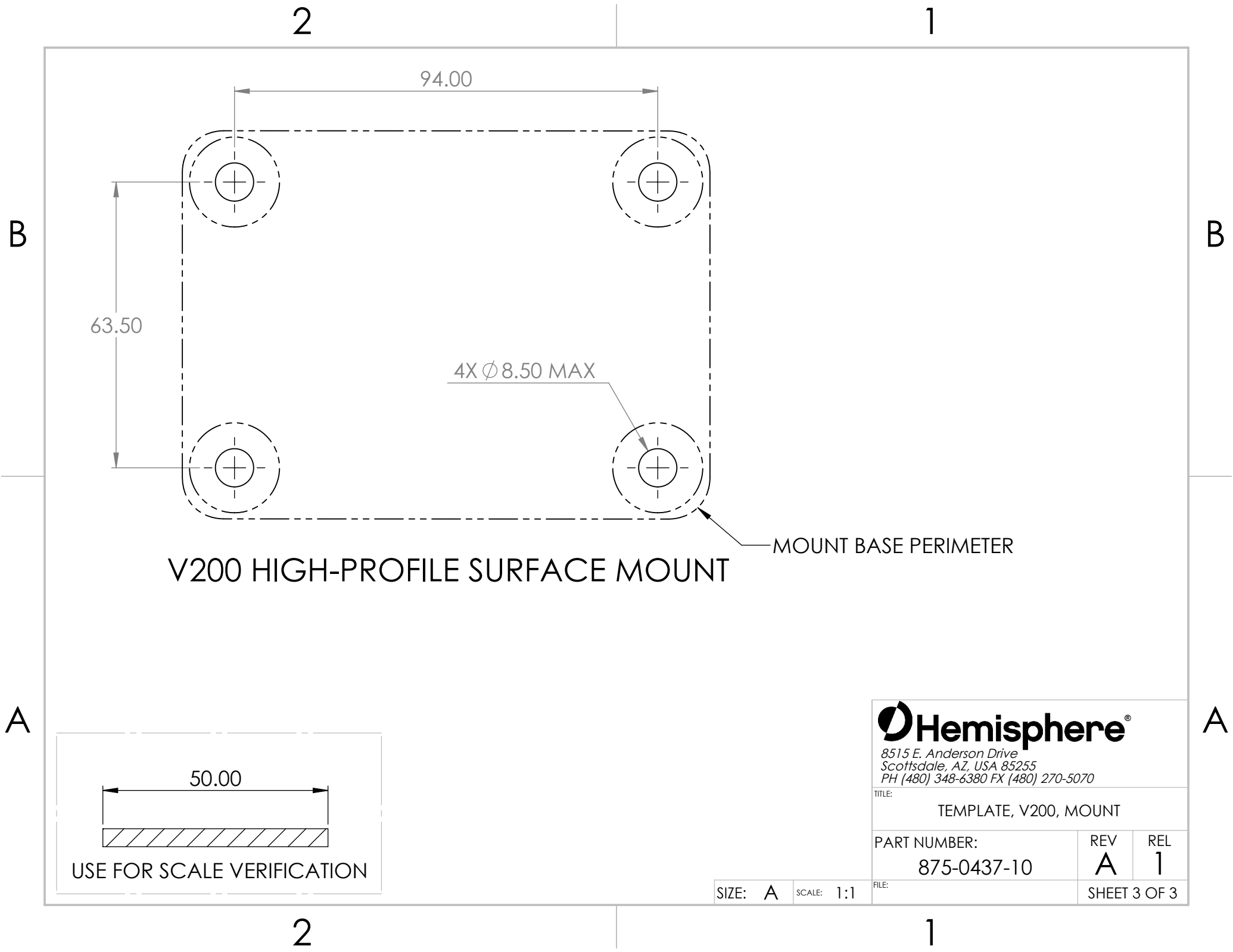
REV	REL
A	1

SIZE: A SCALE: 1:1

FILE:
 SHEET 2 OF 3

2

1



V200 HIGH-PROFILE SURFACE MOUNT

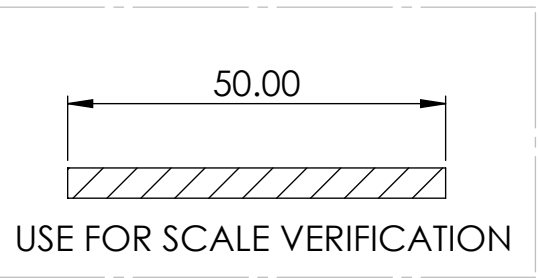
MOUNT BASE PERIMETER

4X Ø 8.50 MAX



8515 E. Anderson Drive
 Scottsdale, AZ, USA 85255
 PH (480) 348-6380 FX (480) 270-5070

TITLE: TEMPLATE, V200, MOUNT		
PART NUMBER: 875-0437-10	REV A	REL 1
FILE:	SHEET 3 OF 3	



SIZE: A SCALE: 1:1