

DEEPSEA
Power & Light®



HD Multi SeaCam®

Full HD, Multi-Purpose, Versatile Workhorse Camera.



FEATURES

Rugged Design Evolved from the Multi SeaCam®

Full HD 1080p/30 Video Output

Titanium Housing & Scratch-Resistant Sapphire Flat Port

6,000m Depth Rated

T: (858) 576-1261
F: (858) 576-0219

4033 Ruffin Road
San Diego, CA
92123- 1817 USA

www.deepsea.com
sales@deepsea.com

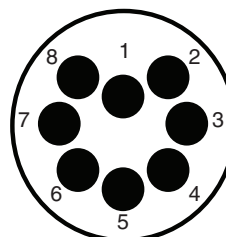


HD Multi SeaCam[®]

	HDMSC-3085 Flat Port	HDMSC-3145 Dome Port
Optical Specifications		
Lens	2.5 mm, F/2.8 Low Distortion	2.0 mm, F/3.0 Low Distortion
Focus	Fixed focus	
Depth of Field	50 mm [2 in] to Infinity	10 mm [0.4 in] to Infinity
FOV in Air	130° H x 70° V x 150° D	145° H x 85° V x 165° D
FOV in Water	85° H x 50° V x 95° D	145° H x 85° V x 165° D
Video Specifications		
Image Sensor	1/3-in. 2.2MP CMOS, 16:9 @ 0.1 Lux	
Resolution	1920 H x 1080 V	
Scene Illumination	0.2 Lux [50 IRE] 3.0 Lux (Color)	
Signal to Noise	>50 dB	
HD Video Output¹	HD-SDI 1.5 Gb/s, 1080p/30	
Analog Video Output²	CVBS, NTSC/PAL Selectable	
Environmental Specifications		
Depth Rating³	Aluminum: 4,000 m [13,123 ft] Titanium: 6,000 m [19,685 ft]	
Operating Temp. (Air and Water)	-30° C to 40° C [-22° F to 104° F]	
Electrical Specifications		
Power	10~36 VDC, 2W max	
Current	200mA max	
Mechanical Specifications		
Housing	Aluminum Titanium	
Port	Sapphire	Optically polished glass hemisphere
Outer Diameter	56.4 mm [2.22 in]	69.1 mm [2.72 in]
Overall Length (w/o connector)	102.8 mm [4.05 in]	124 mm [4.88 in]
Weight in Air	Titanium: 0.65 kg [1.4 lbs]	Titanium: 0.65 kg [1.4 lbs]
Weight in Water	Titanium: 0.44 kg [1.0 lbs]	Titanium: 0.37 kg [0.84 lbs]
Default Connectors		
Flexlink	SEACON MCBH8-NET	
Coax	SubConn HF75CXBH6M-SS	

Connector Options*

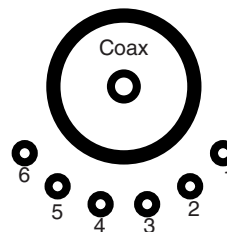
Flexlink[®]



SEACON MCBH8

- Pin 1 – DC +
- Pin 2 – DC -
- Pin 3 – CVBS - RET
- Pin 4 – CVBS
- Pin 5 – SDI +
- Pin 6 – SDI -
- Pin 7 - Control (A)
- Pin 8 - Control (B)

Coax



SubConn HF75CXBH6M-SS Coax Hybrid

Glass to Metal Version

- COAX – HD-SDI video
- Pin 1 – Ground
- Pin 2 – Power
- Pin 3 – Analog Video
(CVBS)
- Pin 4 – CVBS_RET
- Pin 5 – Control (A)
- Pin 6 – Control (B)

*Other connectors available upon request.

*Pinout diagrams represent the orientation of the pins on the male bulkhead.

¹ Configurable to 1080p/25, 720p/60, 720p/50.

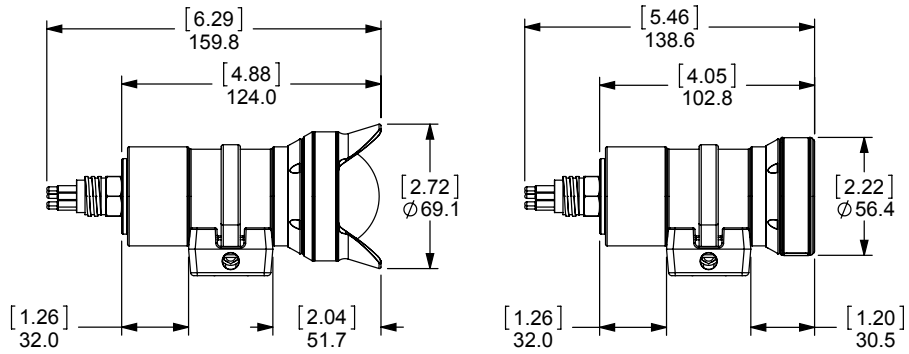
² Format contains 16:9 image stretched to 4:3.

³ 6,000 m depth rating is limited by connector, housing crush depth exceeds 10,000 m.

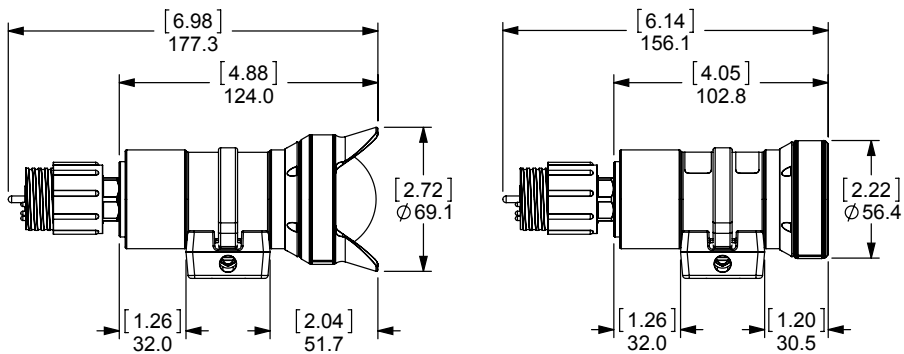
HD Multi SeaCam®

Dimensions

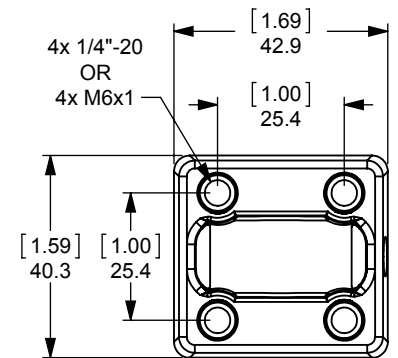
Flexlink®



Coax



Bracket



[inch]
mm