

Nano SeaCam[®]

High Resolution. Compact. Durable.



FEATURES

Ultra Small & Compact Camera

Proprietary Optics

620 TVL Resolution

Up to 11,000 m Depth Rated

Operates in Air and Water

Wide Angle with CCD Reliability

T: (858) 576-1261
F: (858) 576-0219

4033 Ruffin Road
San Diego, CA
92123- 1817 USA

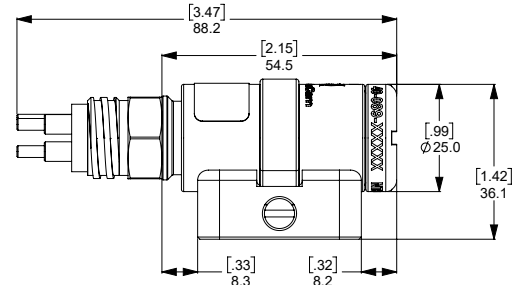
www.deepsea.com
sales@deepsea.com



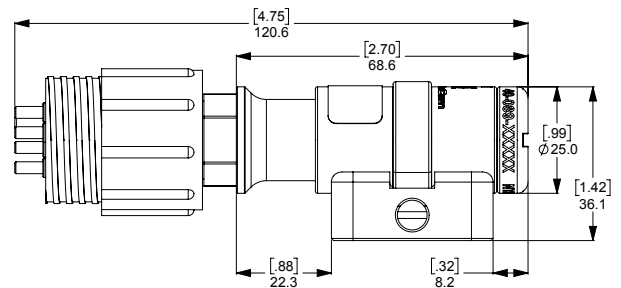
Nano SeaCam[®]

NSC-T	
Optical Specifications	
Lens	2.54 mm Fixed Focus, F/3.5
Near Focus	100 mm
Depth of Field	75 mm [3.0 in] to infinity
FOV in Air	80° H x 60° V x 102° D
FOV in Water	59° H x 44° V x 72° D
Video Specifications	
Image Sensor	1/3 inch SONY color CCD II 410K
Sensor Resolution	NTSC: 768 H x 494 V PAL: 752 H x 528 V
Measured Resolution	620 TVL
Faceplate Illumination	0.04 Lux
Signal to Noise	More than 50dB
Video Output	Composite 1.0Vp-p 75ohm unbalanced
Video Format	NTSC or PAL
Environmental Specifications	
Depth Rating	6,000 m standard 11,000 m optional ¹
Operating Temperature	-10° C to 50° C [14° F to 122° F]
Electrical Specifications	
Input Voltage Range	7~32 VDC
Power Consumption	1W max
Mechanical Specifications	
Housing	6Al-4V Titanium
Port	Optically Polished Sapphire
Outer Diameter	25 mm [0.99 in]
Overall Length (w/o connector)	6,000 m depth rating: 54.5 mm [2.15 in.] 11,000 m depth rating: 68.6 mm [2.70 in.]
Weight in Air	6,000 m depth rating: 130 g [4.6 oz] 11,000 m depth rating: 170 g [6.0 oz]
Weight in Water	6,000 m depth rating: 90 g [3.2 oz] 11,000 m depth rating: 100 g [3.5 oz]
Connector	
Default	SEACON MCB4MP SS

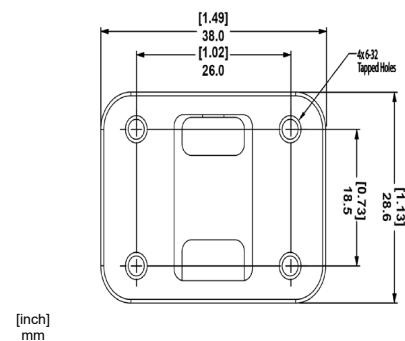
6,000 m Depth Rating



11,000 m Depth Rating



Bracket



¹ Contact sales for 11,000 m depth rated connector options.