

DEESEA
Power & Light®



LED Multi-SeaLite®

Direct Replacement of a Deep Multi-SeaLite



FEATURES

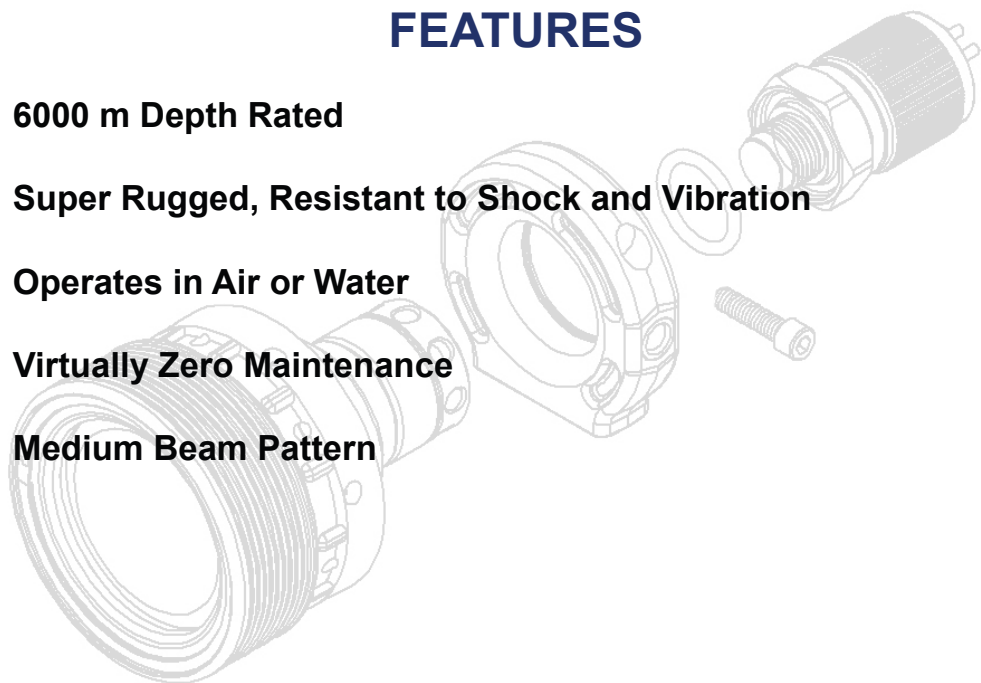
6000 m Depth Rated

Super Rugged, Resistant to Shock and Vibration

Operates in Air or Water

Virtually Zero Maintenance

Medium Beam Pattern



T: (858) 576-1261
F: (858) 576-0219

4033 Ruffin Road
San Diego, CA
92123- 1817 USA

www.deepsea.com
sales@deepsea.com



LED Multi-SeaLite®

Standard Connectors



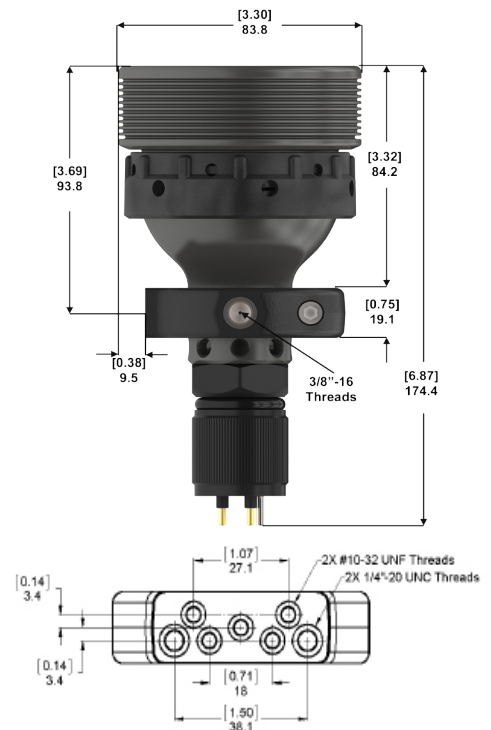
BH3MP
(High Voltage AC/DC)
1 = Hot (DC +)
2 = Neutral (DC -)
3 = Chassis



BH5MP
(Low Voltage DC)
1 = Pos
2 = Neg
3 = Chassis
4 = Not Used
5 = 0-5V DC Control

**Other connectors and pin-out options are available upon request.*

Dimensions



Mechanical Specifications			
Body Material	Hard Anodized Aluminum (6061)		
Window Material	Acrylic		
Mounts	High Strength Plastic Mounting Collar (standard) Stainless Steel Yoke Mounting Bracket (optional) Helmet Mounting Bracket (optional)		
Air Weight	896 g (31.6 oz)		
Water Weight	420 g (14.8 oz)		
Implodible Volume	57cm ³ (3.5 in ³)		
Environmental Specifications			
Depth Rating	6000 m (20,000 ft)		
Test Pressure	10,000 psi		
Crush Depth	9,700 m (31,000 ft)		
Operation Temp.	-10° C to 40° C (14° F to 104° F)		
Optical Specifications			
Color	White	Blue	Green
Lumens in the Water	2400 Lumens Typical	N/A	N/A
Color Temp.	5500° K	N/A	N/A
Dominant Wavelength	N/A	475 nm	525 nm
Beam Angle (FWHP)	Medium: 30°		
Electrical Specifications			
Input	85 - 135V AC (100 - 180V DC) 185 -265V AC (200 -300V DC) 10 - 36V DC (0-5V DC Analog Dimming)		
Current Draw	550mA @ 120V AC		
True Power	44W		
Power Factor	0.66		
Dimming	0% - 100% via 0V-5V control loop on LVDC option only		



4033 Ruffin Road
San Diego, CA
92123-1817 USA

www.deepsea.com
sales@deepsea.com



T: (858) 576-1261
F: (858) 576-0219