

**DEEPSEA**  
Power & Light®



# LED SeaLite®



Patents Pending

## FEATURES

**Wide, Flood, Spot, or Switchable Dual Beam Configurations**

**Up to 10,000 Lumens**

**4,000 m, 6,000 m, and 11,000 m Depth Rated Options**

**Flicker-Free Digital and Analog Dimming Interfaces**

**Customer Serviceable**

**SeaSense™ Protocol**

T: 858-576-1261  
F: 858-576-0219

4033 Ruffin Road  
San Diego, CA  
92123-1817 USA

[www.deepsea.com](http://www.deepsea.com)  
[sales@deepsea.com](mailto:sales@deepsea.com)



# LED SeaLite®

	LSL-1000	LSL-2000	LSL-2025
<b>Optical Specifications</b>			
Typical Lumen Output (Flood)	10,000		See <a href="http://www.deepsea.com/multiray">www.deepsea.com/multiray</a> for sample configuration specifications.
Efficacy	63 lm/w <sup>1</sup>	94 lm/w <sup>1</sup>	
Lux at 1 m	Wide <sup>2</sup> : 2,300 lx Flood: 5,600 lx Spot: 14,000 lx		
Color	Day Light White 5000 K ~ 6500 K Warm White 2600 K ~ 3700 K Contact Sales for Color Options		
CRI	Day Light White: 70 Warm White: 80		
Beam Angle (HPFW)	Wide <sup>2</sup> : 115° Flood: 75° Spot: 35°		Wide <sup>2</sup> : 115° Flood: 75° Spot: 40°
<b>Environmental Specifications</b>			
Depth Rating	4,000 m Acrylic Port 6,000 m or 11,000 m Sapphire Port		
Thermal Protection	Intelligent Thermal Rollback		
Operational Temperature	-10°C to 40°C [14°F to 104°F] <sup>3</sup>		
Storage Temperature	-40°C to 100°C [-40°F to 212°F]		
<b>Electrical Specifications</b>			
Voltage	90~140 VAC 50/60 Hz 110~160 VDC	10~48 VDC <sup>1</sup>	
Power	160W @ 120 VAC 60 Hz	106W @ 24 VDC	
Dimming	RS232 <sup>4</sup> , RS485 <sup>4</sup> , Phase/Triac	RS232 <sup>4</sup> , RS485 <sup>4</sup> , 0~5V, 0~10V, 4~20mA	
<b>Mechanical Specifications</b>			
Housing	Hard Anodized 6013 Aluminum Titanium		
Port	Standard: Sapphire Optional: Acrylic		
Outer Diameter	63.0 mm [2.48 in]		
Overall Length (Without Connector)	Acrylic Flood/Wide: 95.9 mm [3.77 in] Sapphire Flood: 93.3 mm [3.67 in] Acrylic/Sapphire Spot: 99.6 mm [3.92 in]		
Weight in Air <sup>5</sup>	Sapphire Flood: 490 g Sapphire Spot: 510 g	Sapphire Flood: 450 g Sapphire Spot: 470 g	
Weight in Water <sup>5</sup>	Sapphire Flood: 240 g Sapphire Spot: 260 g	Sapphire Flood: 200 g Sapphire Spot: 220 g	
<b>Connector<sup>6</sup></b>			
Default	SEACON MCBHMP SS Please contact sales for more options.		

<sup>1</sup> 100% output available above 20 VDC. 50% output from 10~20 VDC due to input current limits.

<sup>2</sup> Wide beam angle only available on Acrylic port 4,000 m depth rating.

<sup>3</sup> For 120 VAC versions, thermal rollback may reduce light output in water temperatures exceeding 25° C [77° F]. See Manual for additional information.

<sup>4</sup> For RS232 and RS485, see Manual.

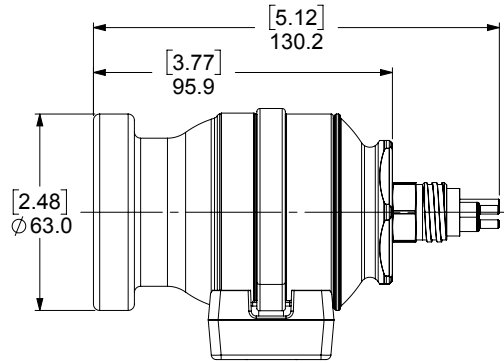
<sup>5</sup> Nominal values are measured with MCBHMP connector and aluminum housing.

<sup>6</sup> Ensure that ampacity ratings for interconnect system are suitable for your operating conditions. See Manual for more information.

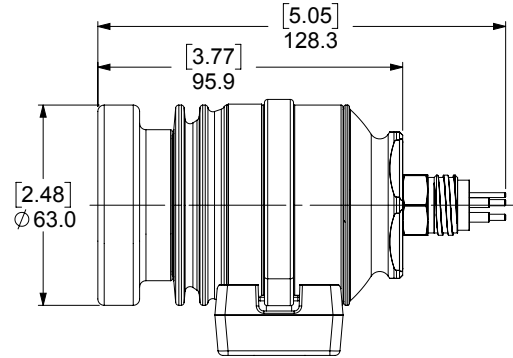
# LED SeaLite®

## Dimensions

### Flood Beam Acrylic Port

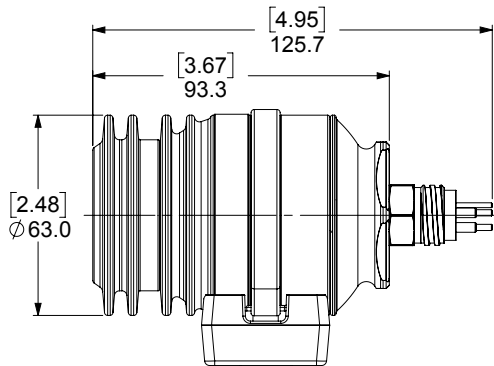


FLOOD/WIDE ACRYLIC ALUMINUM  
mm [inch]



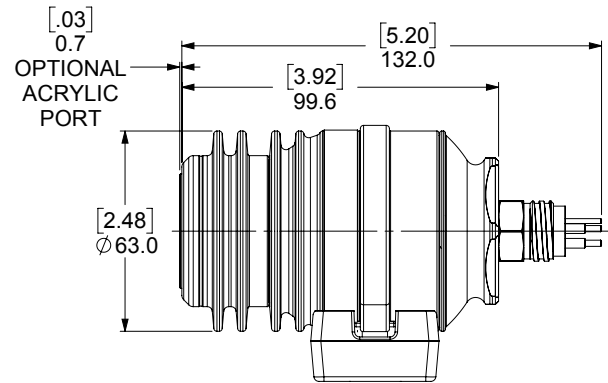
FLOOD/WIDE ACRYLIC TITANIUM  
mm [inch]

### Flood Beam Sapphire Port



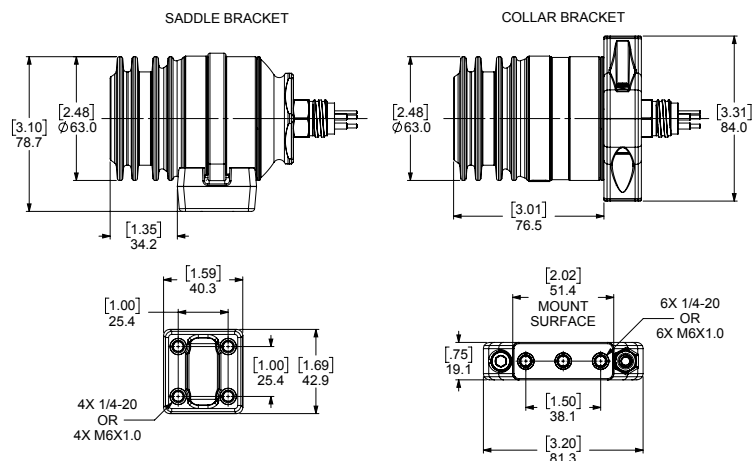
FLOOD SAPPHIRE  
mm [inch]

### Spot Beam



SPOT ACRYLIC/SAPPHIRE  
mm [inch]

### Bracket



mm [inch]