

Nano SeaLite®

High Resolution. Compact. Durable.



FEATURES

Up to 11,000 m Depth Rated

10~36 VDC Input Power

Compact and Ultra Lightweight

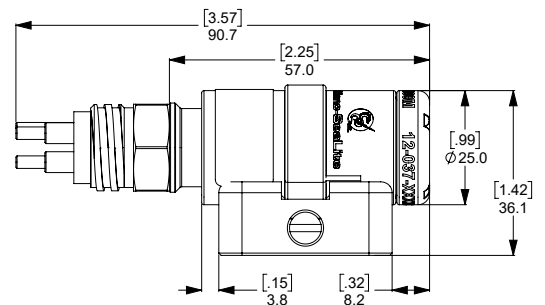
700 Lumens Typical Light Output

Highly Vibration and Shock Resistant

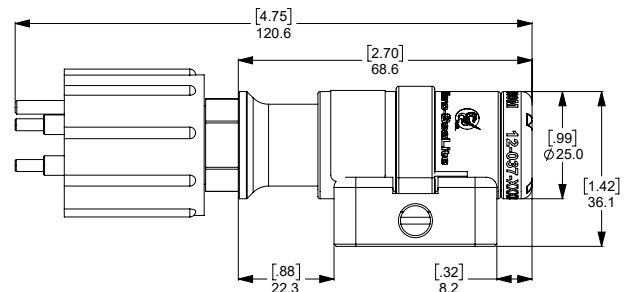
Nano SeaLite®

NSL-T	
Optical Specifications	
Typical Lumen Output (Flood)	700
Efficacy	50 lm/w ¹
Color	Cool White 6500 K ~ 8000 K
CRI	Cool White: 70
Beam Angle (HPFW)	Flood: 70°
Environmental Specifications	
Depth Rating	6,000 m standard 11,000 m optional ¹
Operational Temperature	-10°C to 50°C [14°F to 122°F]
Electrical Specifications	
Voltage	10~36 VDC
Current	1.16A @ 12 V, 0.38A @ 36V
Power	14 W
Mechanical Specifications	
Housing	6Al-4V Titanium
Port	Sapphire
Outer Diameter	25 mm [0.99 in]
Overall Length (Without Connector)	6,000 m depth rating: 57.0 mm [2.25 in] 11,000 m depth rating: 68.6 mm [2.70 in]
Weight in Air	6,000 m depth rating: 140 g [4.9 oz] 11,000 m depth rating: 160 g [5.6 oz]
Weight in Water	6,000 m depth rating: 100 g [3.5 oz] 11,000 m depth rating: 47 g [1.7 oz]
Connector	
Default	SEACON MCBHMP SS Please contact sales for more options.

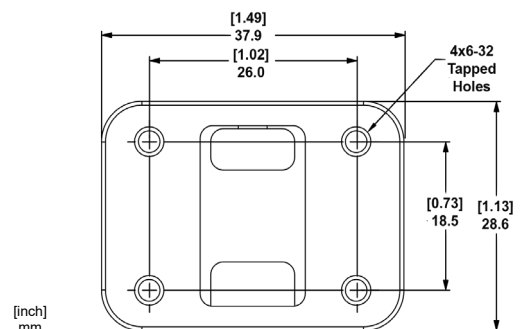
6,000 m Depth Rating



11,000 m Depth Rating



Bracket



¹ Contact sales for 11,000 m depth rated connector options.