

DEEPSEA
Power & Light[®]



SeaLite[®] Lumos Remote

Small Light with a Big Punch.



Patents Pending

FEATURES

Remotely driven high performance LED lighthouse

Fully protected inputs, resistant to over voltage, over current and thermal fault

Highly Vibration and Shock Resistant

Virtually Zero Maintenance

Available in flood or spot beam configurations

T: (858) 576-1261
F: (858) 576-0219

4033 Ruffin Road
San Diego, CA
92123- 1817 USA

www.deepsea.com
sales@deepsea.com

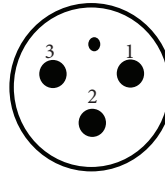


SeaLite® Lumos Remote

Mechanical Specifications	
Housing	Anodized 6013 Aluminum Titanium (optional)
Port	Sapphire
Outer Diameter	47 mm [1.85 in.]
Overall Length (w/o connector)	53.9 mm [2.12 in]
Weight in Air	326g [0.72 lbs]
Weight in Water	240g [0.53 lbs]
Environmental Specifications	
Depth Rating	6,000 m [20,000 ft]
Operating Temp.	-10° C to 40° C [14° F to 104° F]
Thermal Cut-Off	Approximately 65° C [150° F] Housing Temperature
Optical Specifications	
Colors	Daylight White CCT: 5000K-6500K CRI: 66 (other color options available, please inquire)
Lumens in Water (Flood)	3000 Lm @ 1000 mA 3300 Lm @1120 mA
Beam Pattern	Flood: 85° Spot: 32°
Electrical Specifications	
Input Voltage	~26 VDC Nominal
Over Voltage Protection	32 VDC Cut-Off, Protected to 80 VDC
Input Current	1500 mA MAX (to be regulated by constant current ballast)
Over Current Protection	1500 mA Cut-Off, 2000mA Fused
Power	39 W MAX
Recommended Ballast	MeanWell model LPF-40D-36 (18-36V, 1.12A constant current, 0-10V dimming control)

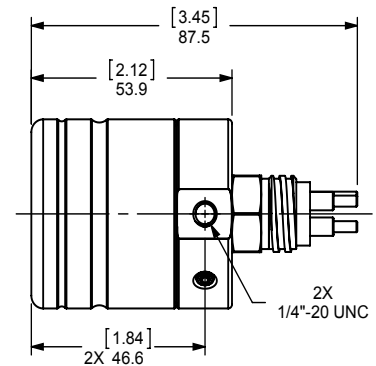
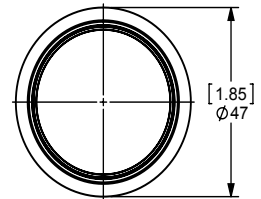
*Optical specifications based off typical values. Actual numbers may vary per batch.

Recommended Connector



MCBH3MP
(High Voltage AC/DC)
1 = Hot (DC +)
2 = Neutral (DC -)
3 = Chassis

Dimensions



T: (858) 576-1261
F: (858) 576-0219

4033 Ruffin Road
San Diego, CA
92123-1817 USA

www.deepsea.com
sales@deepsea.com



REV 08/17/17

*Specifications subject to change without notice.