

**DEESEA**  
Power & Light®



# SeaLite® Sphere

3100, 5100, 5500, 6100, 6500



Patents Pending

## FEATURES

**Easy Direct Replacement of a Halogen Light**

**6000 m Depth Rated**

**Field-Serviceable Connector**

**Wider Range of Smooth Flicker-Free Dimming**

**Improved Mounting Bracket with Titanium Inserts  
Available in both Metric & Imperial Threads**

**Operates In or Out of Water**

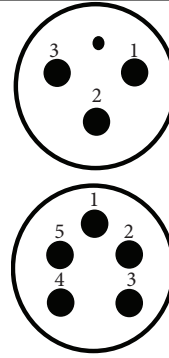
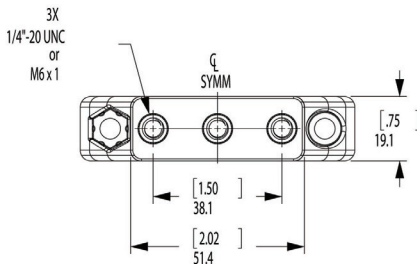
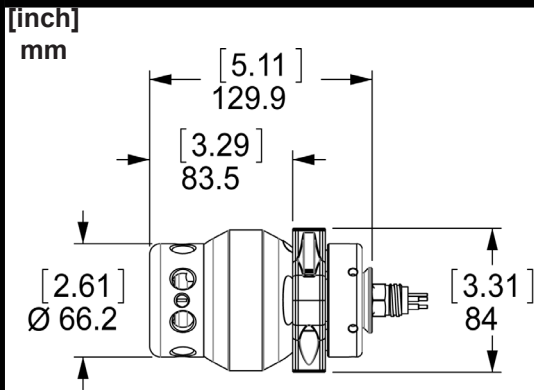
T: (858) 576-1261  
F: (858) 576-0219

4033 Ruffin Road  
San Diego, CA  
92123- 1817 USA

[www.deepsea.com](http://www.deepsea.com)  
[sales@deepsea.com](mailto:sales@deepsea.com)



# SeaLite® Sphere 3100, 5100, 5500, 6100, 6500



**MCBH3MP  
(High Voltage AC/DC)**  
 1 = Hot (DC +)  
 2 = Neutral (DC -)  
 3 = Chassis

**MCBH5MP  
(Low Voltage DC)**  
 1 = Positive  
 2 = Negative  
 3 = Chassis  
 4 = Not Used  
 5= 0-5 V DC Control  
 (0-5V DC Control ground to  
 Pin 2)

\*Other connector options  
 are available upon request.

	SLS-3100	SLS-5100	SLS-6100	SLS-5500	SLS-6500
<b>Electrical Specifications</b>					
<b>Input*</b>	10-36V DC 1.7A @ 24V DC 41 W	20-36V DC 3.3A @ 24V DC 80W	110-140VAC 120-150VDC 1.6A @ 120VAC typical 1.1A @ 135VDC typical	215 - 275V AC 275 - 375V DC 0.62A @ 220V AC Nominal (275V AC Max), 130W Max 0.32A @ 280V DC Nominal (375V DC Max), 130W Max	90-250 VAC (50/60Hz) 80-350 VDC 90W
<b>Dimming</b>	0-5V Control Loop (Standard) Variable Voltage (Optional)		AC Phase Control Dimmer & Variable Voltage (Variac)		AC Phase Control No Dimming while running on DC
<b>Optical Specifications</b>					
<b>Lumens in Water (Flood Lights)</b>	3,700 Lumens typical	6,200 Lumens typical	7,500 Lumens typical	5,000 Lumens typical	6,000 Lumens typical
<b>True Lumens/Watt</b>	90 lm/w	77 lm/w	50 lm/w	35 lm/w	67 lm/w
<b>True Lumens/ Weight in Water</b>	16 lm/g	27 lm/g	24 lm/g	16 lm/g	12 lm/g
<b>Color</b>	Day Light White (Other options available)				
<b>Color Temp</b>	Standard: 5000 K - 6500 K				
<b>Beam Pattern in Water (FWHP)</b>	Flood: 75°/Medium: 38°				
<b>Color Rendering Index (CRI)</b>	77 (Standard White LED's)				
<b>Mechanical Specifications</b>					
<b>Body Material</b>	Hard Anodized 6013 Aluminum (Standard)				
<b>Window Material</b>	Sapphire				
<b>Mounts</b>	High Strength Mounting Collar with Titanium inserts [1/4"-20 or 6 mm Thread Sizes]				
<b>Weight in Air</b>	675 g [1.49 lbs]		796g [1.75 lbs]		975 g [2.15 lbs]
<b>Weight in Water</b>	227g [0.50 lbs]		314g [0.69 lbs]		485 g [1.07 lbs]
<b>Environmental Specifications</b>					
<b>Depth Rating</b>	Standard: 6,000m [20,000 ft]				
<b>Crush Depth</b>	8,964m [29,578 ft]				
<b>Operation Temp</b>	-10° C to 40° C [14° F to 104° F]				