

DEEPSEA
Power & Light[®]



SeaLite[®] Sphere

3150, 5150, 6150, 6550



Patents Pending

FEATURES

Up to 11000 Lumens with 85 Degree Flood Beam

6000 m (Standard) and 11000 m (Optional) Depth Rated

Field-Serviceable Connector Volume

Capable of Operating in Water or Air

Intelligent Flicker-Free Dimming

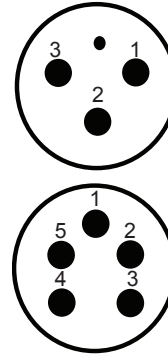
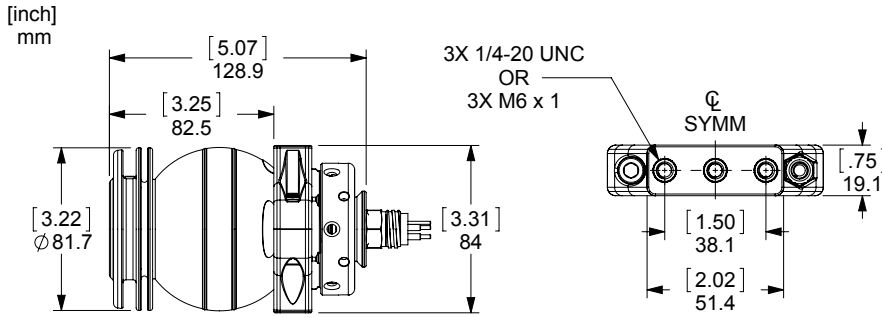
T: (858) 576-1261
F: (858) 576-0219

4033 Ruffin Road
San Diego, CA
92123- 1817 USA

www.deepsea.com
sales@deepsea.com



SeaLite[®] Sphere 3150, 5150, 6150, 6550



MCBH3MP
(High Voltage AC/DC)
1 = Hot (DC +)
2 = Neutral (DC -)
3 = Chassis

MCBH5MP
(Low Voltage DC)
1 = DC+
2 = DC-
3 = Chassis
4 = Not Used
5 = 0-5 V DC Control
(0-5V DC Control referenced to Pin 2)

*Other connector options are available upon request.

	SLS-3150	SLS-5150	SLS-6150	SLS-6550
Electrical Specifications				
Input	10~36V DC 1.7A @ 24V DC 41 W	20~36V DC 3.3A @ 24V DC 80 W	110~140VAC 120~150VDC 1.6A @ 120VAC typical 1.1A @ 135VDC typical	90~250 VAC (50/60Hz) 80~350 VDC 90 W
Dimming	0~5V Control Loop (Standard) Variable Voltage (Optional)		AC Phase Control Dimmer & Variable Voltage (Variac)	AC Phase Control No Dimming while running on DC
Optical Specifications				
Lumens in Water (Flood Lights)	5,000 Lumens typical	9,000 Lumens typical	11,000 Lumens typical	8,700 Lumens typical
True Lumens/Watt	122 lm/w	112 lm/w	73 lm/w	96 lm/w
True Lumens/Weight in Water	20 lm/g	36 lm/g	33 lm/g	11 lm/g
Color	Day Light White (Other options available)			
Color Temp	Standard: 5000K ~ 6500K (Other options available)			
Beam Pattern in Water (FWHP)	Flood: 85°			
Color Rendering Index (CRI)	68 (Standard White LED's)			
Mechanical Specifications				
Body Material	Hard Anodized 6013 Aluminum (Standard) Titanium 6Al4V (Optional)			Titanium 6Al4V
Window Material	Sapphire			
Mounts	High Strength Mounting Collar with Titanium inserts (1/4"-20 or 6mm Thread Sizes)			
Weight in Air	714 g [1.57 lbs] for standard Al housing		835 g [1.84 lbs] for standard Al housing	1195 g [2.63 lbs] without bracket
Weight in Water	248 g [0.55 lbs] for standard Al housing		335 g [0.74 lbs] for standard Al housing	793 g [1.74 lbs] without bracket
Environmental Specifications				
Depth Rating	Standard: 6,000 m Optional: 11,000 m			11,000 m
Pressure Rating	10,000 psi			16,000 psi
Operation Temp	-10° C to 40° C [14° F to 104° F]			