

DEESEA
POWER & LIGHT



Sealite® Sphere

3200, 5200, 6200, 7200, 8200



Operator's Manual

T: (858) 576-1261
F: (858) 576-0219

4033 Ruffin Road
San Diego, CA
92123- 1817 USA

www.deepsea.com
sales@deepsea.com



Specification Overview

	SLS-3200	SLS-5200	SLS-6200	SLS-7200	SLS-8200
Optical Specifications					
Lumen Output ^{1,2,3,4}	3,800	7,500	9,000	8,700	10,000
Efficacy ^{1,2,3,4}	89 lm/w	80 lm/w	53 lm/w	97 lm/w	77 lm/w
Lux @ 1 m	2,800 lx	4,900 lx	5,600 lx	TBD	6,100 lx
Color Options	Day Light White 5000 K ~ 6500 K Warm White 2600 K ~ 3700 K Other options available				
CRI	Day Light White: 70 Warm White: 80				
Beam Angle	Flood: 75° Spot: 35°			Flood: 75° Spot: 45°	Flood: 80°
Environmental Specifications					
Depth Rating	Standard: 6,000 m Optional: 11,000 m ⁵				
Thermal Protection	Thermal Rollback				
Operation Temp	-10°C to 40°C [14°F to 104°F]				
Storage Temp	-25° C to 105°C [13°F to 221°F]				
Electrical Specifications					
Voltage	10~36 VDC	20~36 VDC	110~140 VAC 120~150 VDC	90~250 VAC 80~350 VDC	215~275 VAC 275-375 VDC
Power	43 W @ 24 VDC	94 W @ 24 VDC	169 W @ 120 V 60 Hz	90 W @ 120 VAC 60 Hz 90 W @ 220 VAC 60 Hz	130 W @ 275 VAC 130 W @ 375 VDC
Dimming	0~5 VDC		AC phase control (TRIAC) Variable voltage (VARIAC)	AC phase control (TRIAC) No Dimming on DC	AC phase control (TRIAC) Variable voltage (VARIAC)
Mechanical Specifications					
Housing	Standard: Hard Anodized 6013 Aluminum Optional: Titanium				
Port	Sapphire				
Outer Diameter	82.1 mm [3.23 in]				
Overall Length	136.7 mm [5.38 in]				
Weight in Air	763 g [1.68 lbs]		824 g [1.82 lbs]	920 g [2.03 lbs]	824 g [1.82 lbs]
Weight in Water	270 g [0.60 lbs]		320 g [0.71 lbs]	420 g [0.93 lbs]	320 g [0.71 lbs]
Connectors					
Default	SEACON MCBHMP Other connectors available				

¹ For SLS-3200/5200 nominal values are measured with 8-LED flood configuration, $V_{IN} = 24 V_{DC}$

² For SLS-6200, nominal values are measured with 8-LED flood configuration, $V_{IN} = 120 V_{AC}$

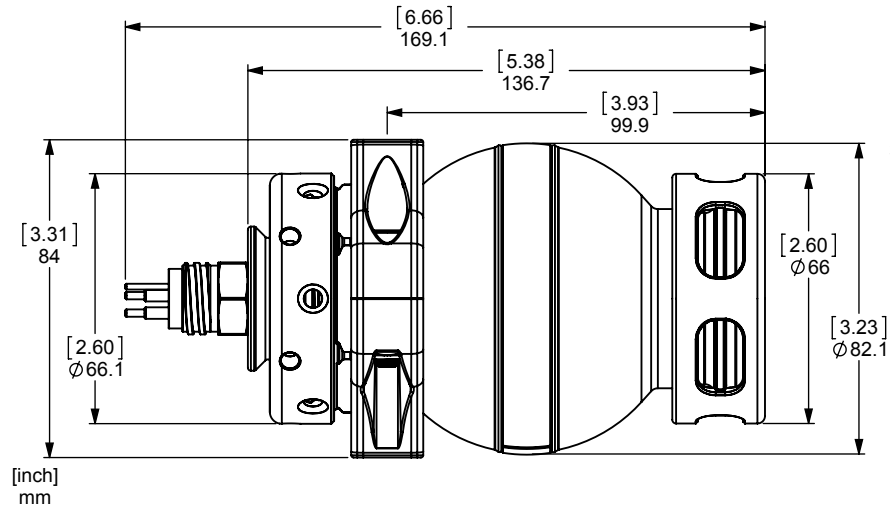
³ For SLS-7200, nominal values are measured with 32-LED flood configuration, $V_{IN} = 120 V_{AC}$

⁴ For SLS-8200, nominal values are measured with 32-LED flood configuration, $V_{IN} = 275 V_{AC}$

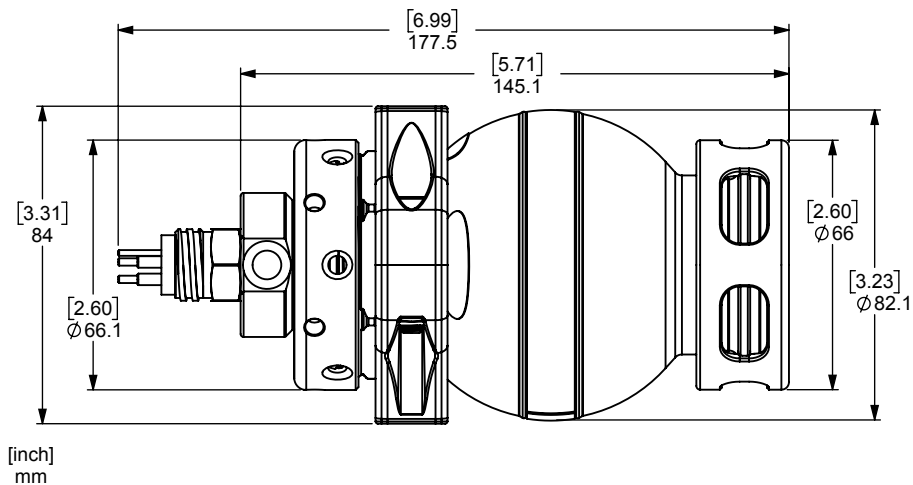
⁵ 11,000 m depth rating requires titanium housing and 20 kpsi rated connector

Specification Overview

Base Endcap



Optional Extended Endcap with Zinc Anodes



Bracket

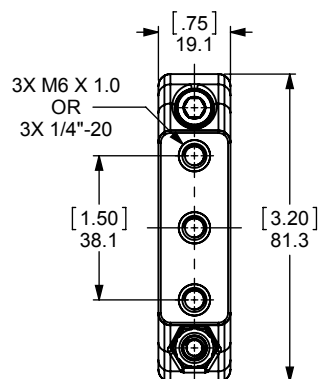


Table of Contents

Specification Overview	2-3
Table of Contents.....	4
Safety Symbols.....	5
General Notes & Warnings.....	5
Pre & Post Dive Inspection	6
DC Strobing Capability	6
Troubleshooting.....	6
Flooded Light Repair.....	6
Changing the Connector.....	7
RMA Procedure for Repair	7
Warranty Information	7
Appendix A Dimming Response Curves	8-10
Appendix B Low-Voltage DC Step Response Curve.....	11-12
Appendix C Beam Patterns	13-14
Appendix D Connector Replacement.....	15-17

Safety Symbols

In this operator's manual and on the product, safety symbols are used to communicate important safety information. This section is provided to improve understanding of these symbols.



This is the safety alert symbol. It is used to alert you to potential personal injury hazards. Obey all safety messages that follow this symbol to avoid possible injury or death.



DANGER indicates a hazardous situation which, if not avoided, could result in death or serious injury.



WARNING indicates a hazardous situation which, if not avoided, could result in damage to the product or bodily harm.



CAUTION indicates a hazardous situation which, if not avoided, could result in minor or moderate injury.



NOTICE indicates information that relates to the protection of property.



This symbol means read the operator's manual carefully before using the equipment. The operator's manual contains important information on the safe and proper operation of the equipment.



This symbol means always wear safety glasses with side shields or goggles when handling or using this equipment to reduce the risk of eye injury.



This symbol indicates the risk of electrical shock.



This symbol indicates a risk of exposure to high brightness.



UV and blue light can cause eye injury. Avoid exposure to eyes.



This symbol indicates high voltage.



This symbol indicates a potentially hot surface that may cause burns or ignition.

General Notes & Warnings

Your SeaLite® Sphere light is designed and built for years of maintenance-free operation.

Simple pre- and post-dive maintenance is all that should be done.

There should be no reason to ever open the housing of your SeaLite Sphere light. Your light was thoroughly pressure tested prior to leaving the factory to confirm the integrity of the complete assembly. Your light was designed with the ability to change the connector in the field in the rare case of delamination or breaking of the connector body leading to leaking.

You may run your SeaLite Sphere light at full power in air. This light is equipped with thermal sensing circuitry which will automatically roll back the light output and prevent it from overheating. The light will return to full brightness once it is submerged and allowed to cool.

WARNING

Tampering with the lighthouse in any way may damage the light and void your warranty.

Do not clean any part of the lighthouse with any type of alcohol.

Reconfiguring the pin-out of the light is potentially dangerous to the operator and can cause significant damage to the light. Any change to the pin-out should be done only through consultation with the factory in order to provide proper documentation and new pin-out labeling. Failure to do so will result in the loss of warranty coverage for your light.

DANGER

When the SeaLite Sphere light is operated in air the body may reach temperatures in excess of 65° C (150°F). These temperatures may be enough to cause burns if the light is handled without protective clothing.

Do not operate any high voltage electrical

equipment in or around water without using a Ground Fault Circuit Interrupter (GFCI) and an isolation transformer, especially when divers are in the water.

Pre & Post Dive Inspection

Check to make sure that the rear bulkhead connector is secure before deployment.

Check the following areas for previous damage, wear or corrosion: rear bulkhead connector, power cable, front window, and end-cap retainer.

Rinse your SeaLite Sphere light in fresh water after use in saltwater.

After each deployment, carefully check to make sure the light is operational and has not flooded. If it gets flooded, upon surfacing, the light can become internally pressurized, which may be potentially dangerous.

Additionally, if the power remains on when the light has partially flooded, it is possible for electrolytic generation of an explosive mixture of hydrogen and oxygen gases. If a light appears flooded upon removal from the water, it should be treated as potentially dangerous. Point the light away from persons and valuable equipment and make sure that the power is disconnected. See the Flooded Light Repair procedure for more information.

DC Strobing Capability

The LVDC driver used in the SLS-3200 and SLS-5200 have some limited, user defined, strobe and flash capability using the 0-5V analog dimming input. The output of the light can be made to turn on and off rapidly by applying a square-wave pulse with a 5V amplitude to the DIM pin of the light.

The response of the light has a 20ms time constant due to input filtering components for the standard analog dimming functionality. This means that the light output will reach about 70% of full brightness 20ms after the pulse is applied. The light then reaches >90% output after about 40ms. The same time constant applies to the turn-off behavior, but shuts off and enters stand-by mode after about 35ms.

The image in Appendix B was captured from an actual light and shows the step response of the SLS-5200 driver. There is an additional turn-on delay of about 5ms due to a latching circuit that sets the minimum dimming input voltage so this must be accounted for in any timing calculations.

Troubleshooting

If the light stops working while underwater assume that it has been flooded. See Flooded Light Repair procedure below.

Once it has been determined that the light is not flooded, or if it does not turn on during pre-deployment checks, check the input power cable/inline connector to make sure that correct voltage is being supplied, and that the correct pin-out is being used. See page 1-2 of this manual for electrical specs and connector pin assignments.

If the light still does not work, return it to DeepSea Power & Light using the RMA Procedure for Repair below.

Flooded Light Repair

If the light stops working while underwater, you should assume that it has been flooded. When working on a potentially flooded light, it is important to use appropriate personal protective equipment to include, at a minimum, eye and hand protection.

1. Place the light face down on a table making sure that the connector side is facing up.
2. Unscrew the End-Cap Retainer with a spanner wrench.
3. Slowly depressurize the connector compartment and remove the end-cap with the connector attached to it.
4. Without removing the circuit board, rinse the compartment with clean fresh water.
5. Bake the light in a warm oven at no more than 100° C or 212° F for at least 30 minutes to bake out any moisture that may be present.
6. If it is determined that the flooding occurred due to damage to the connector, please see the Changing the Connector section below.
7. Once it is determined that the light is not or no longer internally pressurized, and the flooding was not due to the connector; it is recommended that the light be returned with the End-Cap Retainer partly unscrewed as in step 2 above, to DeepSea Power & Light for evaluation and repair using the RMA Procedure for Repair below.

WARNING

DeepSea Power & Light cannot be responsible for any damage incurred during emergency field repairs. Evidence of opened housings will void the warranty. Such repairs should be undertaken only as a last resort and by qualified personnel.

Changing the Connector

Please see Appendix D for details on changing the connector in case of flooding.

RMA Procedure for Repair

Should it be necessary to return your SeaLite Sphere light to the factory, follow the procedure for the Flooded Light Repair above, leaving the connector partially unscrewed.

For warranty and non-warranty repairs, please contact DeepSea Power & Light for a RMA number prior to returning your item. Please have your light model number, serial number and any other pertinent information along with a description of the problem.

Tel: (858) 576-1261
Fax: 858-576-0219
Email: RMA@deepsea.com

When shipping the item, be sure that the freight is pre-paid (CODs will not be accepted) and that the RMA number is clearly printed on the outside of the box. All shipments should be sent to the address below:

DeepSea Power & Light
Attn: RMA #####
4033 Ruffin Road
San Diego, CA 92123-1817
U.S.A

Warranty Information

Limited Warranty

Seller warrants that the goods (except internal electronic components) sold under this contract will be free from defect in material and workmanship for a period of one year from the date of shipment from the factory, if they have been properly used. Internal electronic components are warranted for 90 days from the date of shipment from the factory, if they have been properly used. This warranty will be limited to the repair or replacement of parts and the necessary labor and services required to repair the goods. IT IS EXPRESSLY AGREED THAT THIS WARRANTY WILL BE IN LIEU OF ALL WARRANTIES OF FITNESS AND IN LIEU OF THE WARRANTY OF MERCHANTABILITY. This warranty is the exclusive and only warranty to pass with the goods under this contract. No agent, employee, or representative of the Seller has any authority to bind Seller to any information, representation, or warranty concerning the goods sold under this contract, and unless an affirmation, representation, or warranty made by an agent, employee, or representative is

specifically included within this contract, it will not be enforceable by Buyer. If notice of defect is given to DeepSea Power & Light LLC within such 90 day or one year warranty period, the sole obligation of DeepSea Power & Light LLC shall be to furnish new or repaired parts free of charge in exchange for parts which have been proved defective and does not include any other costs such as the cost of removal of the defective part, installation, labor, or consequential damages of any kind, the exclusive remedy being to require DeepSea Power & Light LLC to furnish such new parts. Under no circumstances shall the Buyer be entitled to recover any incidental damages as that term is defined in Commercial Code §2715.



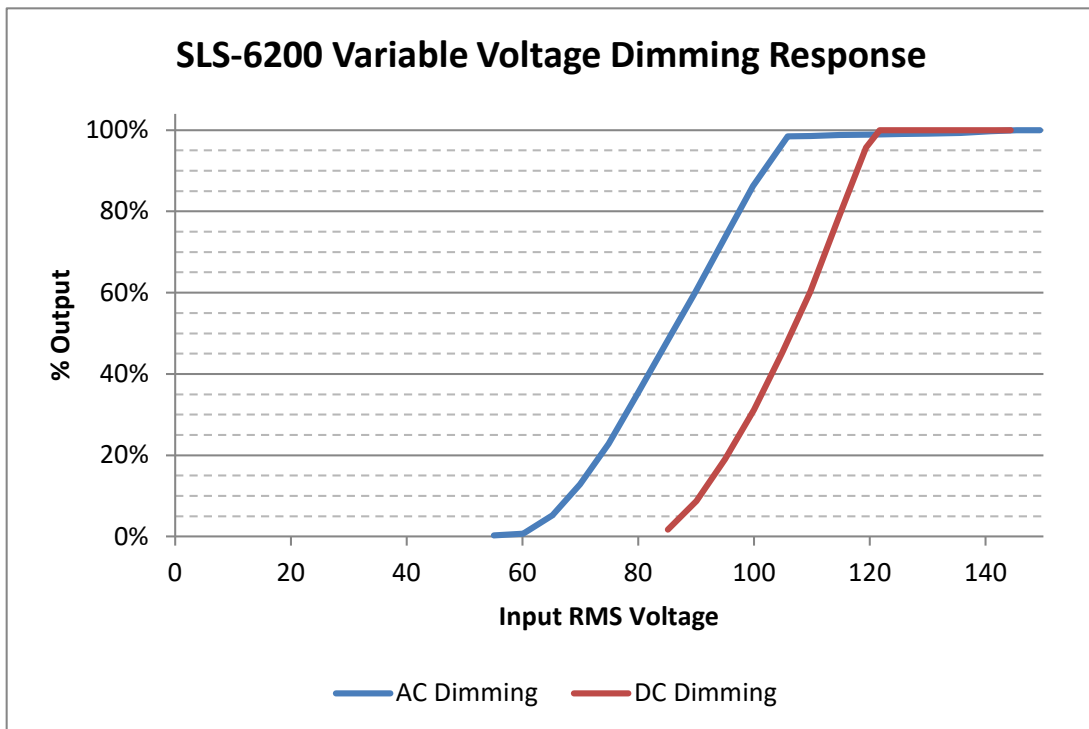
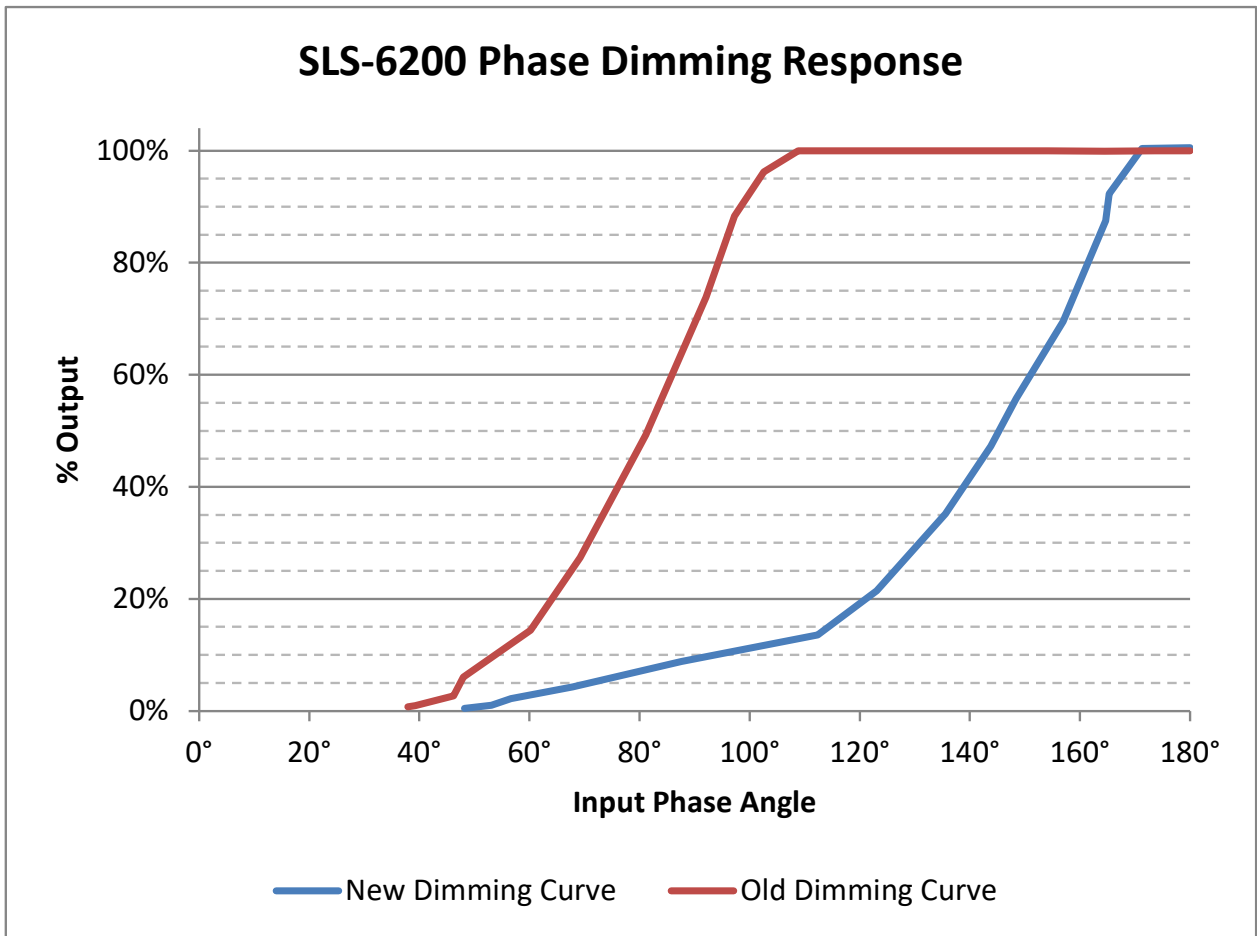
T: (858) 576-1261
F: (858) 576-0219

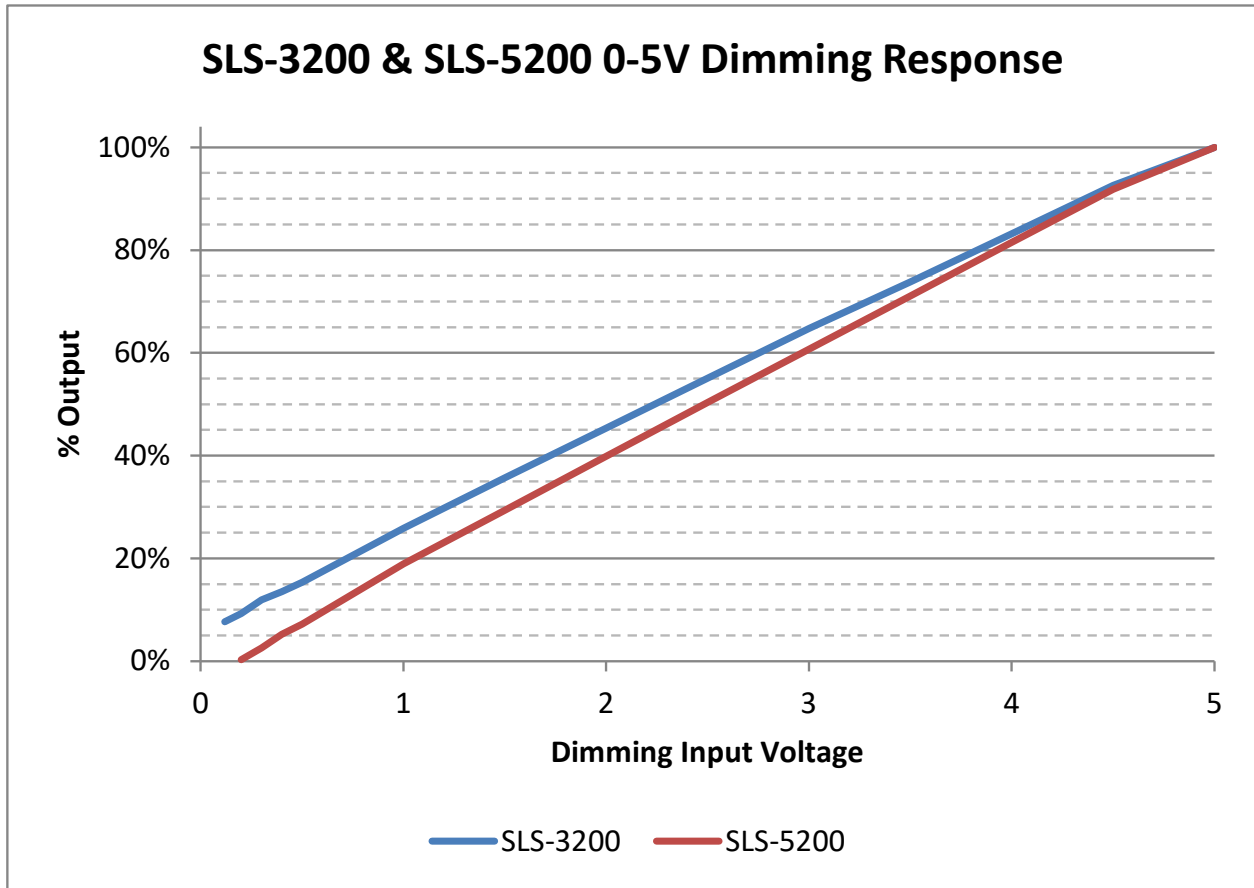
www.deepsea.com
sales@deepsea.com



Appendix A

Dimming Response Curves

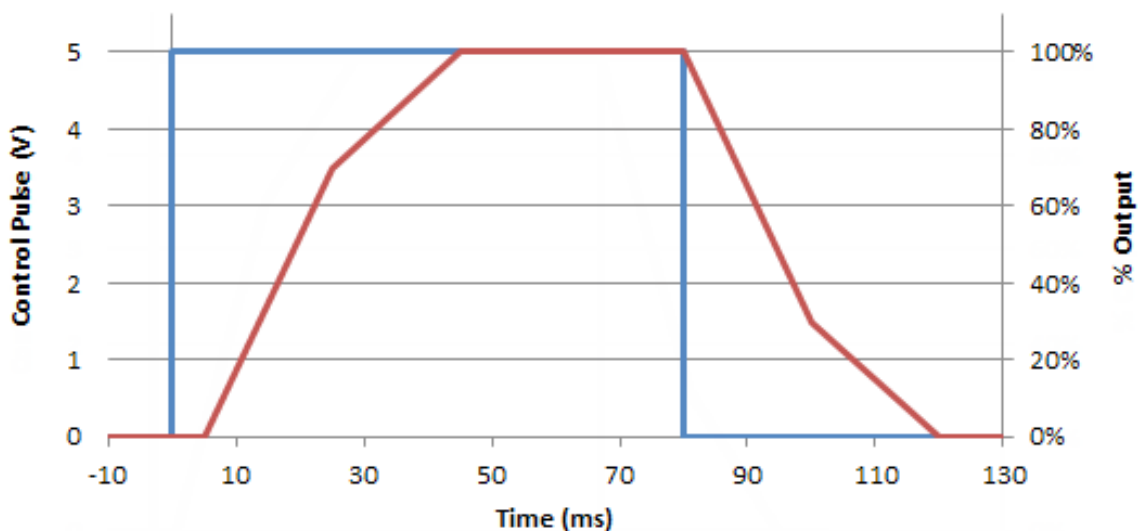




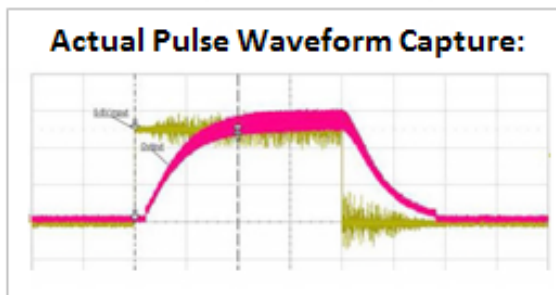
Appendix B

Low-Voltage DC Step Response Curve

Strobe/Flash Pulse Characteristics: 80ms Width



— Trigger — Output



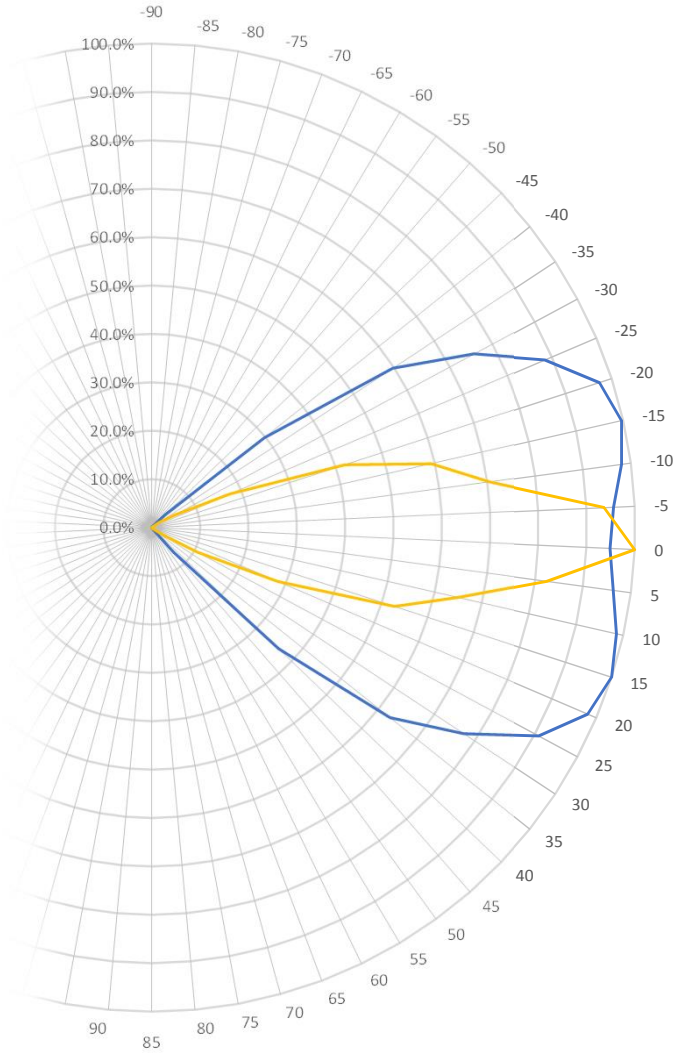
Low-Voltage DC Step Response Curve for both SLS-3200 & SLS-5200

Appendix C

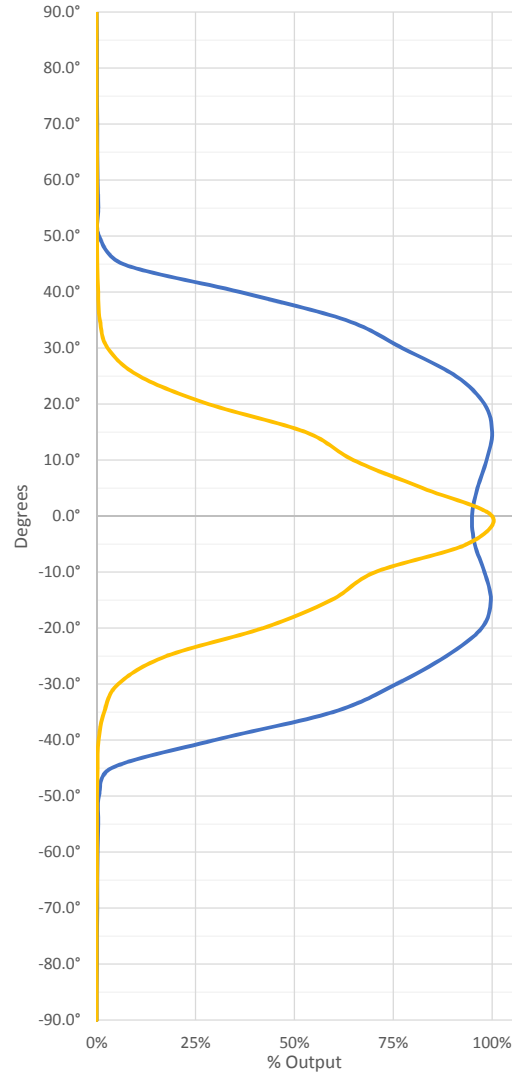
Beam Patterns



Radial Lux Distribution Comparison



Angular Distribution



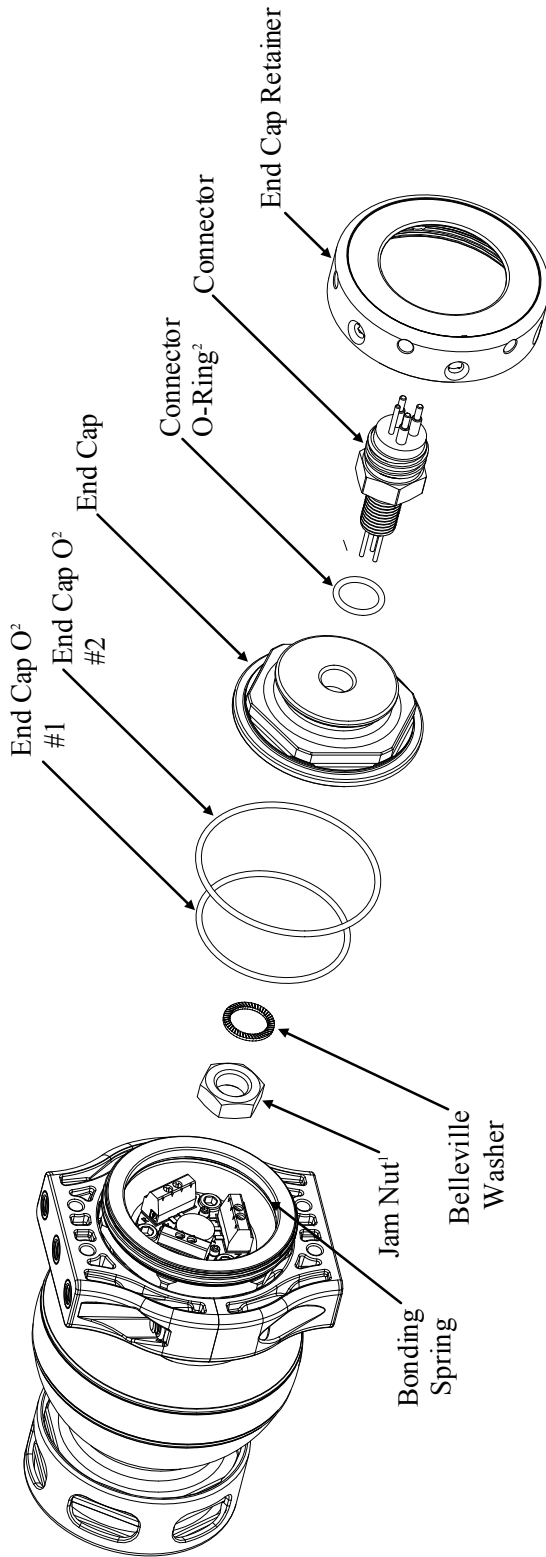
SLS-6200 Daylight White Flood	
SLS-6200-A13-SUBMC3-FLD-W57-PV	
Peak Lux:	5680
FWHP Angle:	76

SLS-6200 Daylight White Medium Spot	
SLS-6200-A13-SUBMC3-MED-W57-PV	
Peak Lux:	14400
FWHP Angle:	34

Appendix D

Connector Replacement

Connector Replacement Instructions



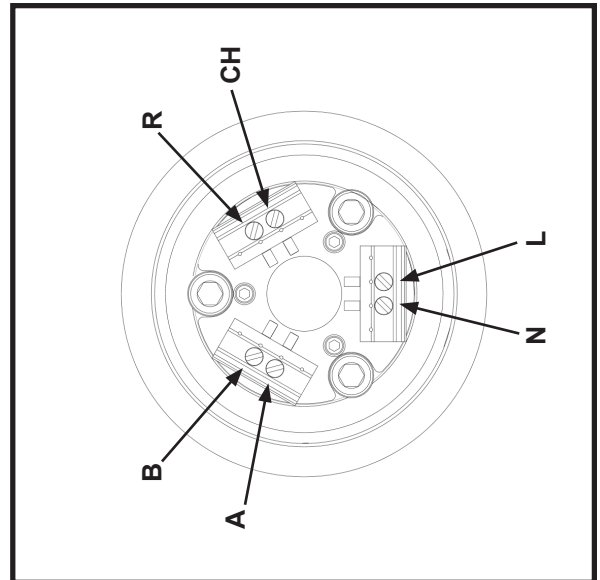
Connector Replacement Instructions

1. Unscrew the End Cap Retainer.
 - a. Use an Armstrong Adjustable Spanner Wrench 1¼-3" P/N: 34-358.
2. Pull out the End Cap with the Connector.
3. Disconnect the Connector Wires from the Terminal Blocks.
4. Replace the Connector and the Connector O-ring. (Grease O-ring)
5. Install the Jam Nut. (If applicable)
6. Inspect both End Cap O-rings.
7. Replace both End Cap O-rings if necessary. (Grease O-rings)
8. Re-connect the wires to the Terminal Blocks. (See Chart)
9. Verify that the Bonding Spring is still installed.
10. Re-install the End Cap
11. Re-install the End Cap retainer.

² Lightly grease with DC-111 or equivalent.

Connector Wire Reference

Position	DC Lights	AC Lights
L	DC +	Line
N	DC -	Neutral
CH	Chassis	Chassis
R	Reference (0-5 VDC)	Not Connected
A	Auxiliary A	Auxiliary A
B	Auxiliary B	Auxiliary B



Spare Parts for Connector Replacement	
Description	P/N
End-Cap O-Ring Kit	712-045-601-0A-01
2-017 size O-Ring (XSG3BCL Connector)	2-017 v0884-75
2-116 size O-Ring (5507-1503 Connector)	2-116 v0884-75
Jam Nut	420-00024
Belleville Washer	440-00205
2-014 size O-Ring (BH3MP, MCBH3MP, LPBH3MP Connector)	2-014 v0884-75
Seacon BH3MP Connector/Socket Assembly	140-00012-02
Seacon MCBH3MP Connector Assembly	140-00372-02
Impulse XSG3BCL Connector/Socket Assembly	140-00437
Impulse LPBH3MP Connector/Socket Assembly	140-00073-06
Burton 5507-1503 Connector/Socket Assembly	140-00275
End Cap 7/16"-20 (BH3MP, MCBH3MP, LPBH3MP Connector)	712-045-009-0A-01
End Cap 1/2"-20 (XSG3BCL Connector)	712-045-009-0A-02
End Cap 5/8"- 18 (5507-1503 Connector)	712-045-009-0A-04

Notes:

DeepSea Power & Light strongly recommends Viton as the preferred O-ring material for connector replacements. If Viton is not available, Buna is an acceptable substitute.
Other connector options are available. Please consult sales.