

**DEESEA**  
Power & Light<sup>®</sup>



# SeaVent<sup>®</sup> Relief Valves

Multiple Options for Different Applications.



## FEATURES

**Ultra Small**

**Dual O-ring Options**

**Adjustable Cracking Pressures**

**Also Functions as a Vacuum Port**

**6,000 m and 11,000 m Depth Rated**

T: (858) 576-1261  
F: (858) 576-0219

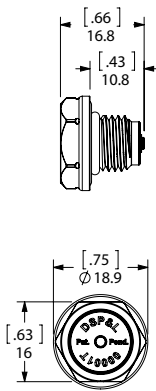
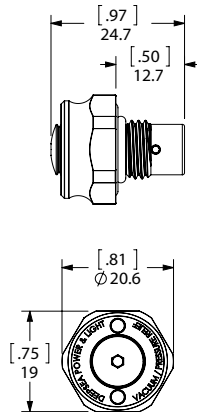
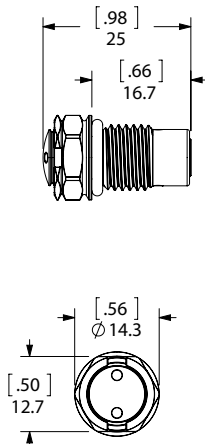
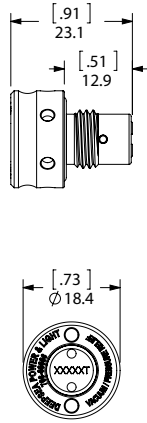
4033 Ruffin Road  
San Diego, CA  
92123- 1817 USA

[www.deepsea.com](http://www.deepsea.com)  
[sales@deepsea.com](mailto:sales@deepsea.com)

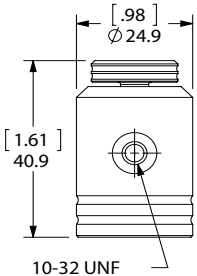
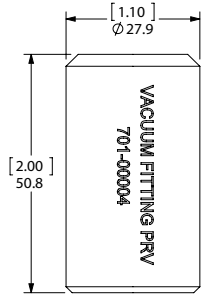
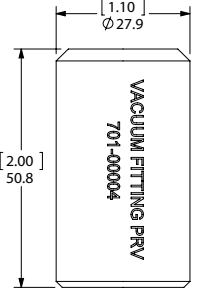


# SeaVent® Relief Valves

	Double Dual Seal	Single Dual Seal	Single Seal SAE	Single Seal Face
<b>Mechanical Specifications</b>				
<b>Material</b>	Titanium 6Al-4V PEEK	Titanium 6Al-4V Aluminum 6061 Stainless Steel 316 (passivated)	Stainless Steel 316 (passivated)	Titanium 6Al-4V Aluminum 6061 Stainless Steel 316 (passivated)
<b>Diameter</b>	18.9 mm [0.75 in.]	20.6 mm [0.81 in.]	14.3 mm [0.56 in.]	18.4 mm [0.73 in.]
<b>Length</b>	16.8 mm [0.66 in.]	24.7 mm [0.97 in.]	25 mm [0.98 in.]	23.1 mm [0.91 in.]
<b>Weight in Air</b>	8.3 g [0.29 oz]	14.1 g [0.49 oz.] (Titanium)	12.9 g [0.46 oz]	11.7 g [0.42 oz] (Titanium)
<b>Weight in Water</b>	6.1 g (Titanium)	11.0 g (Titanium)	10.6 g	9.6 g (Titanium)
<b>Threads</b>	7/16 - 20, with #4 J1926 Port	7/16 - 20, with #4 J1926 Port	7/16 - 20, with #4 J1926 Port	7/16" - 20

<b>Environmental Specifications</b>				
<b>Depth</b>	11,000 m (Ti) 6,000 m (PEEK)	11,000 m (Ti) 6,000 m (Al and SS)	6,000 m	11,000 m (Ti) 6,000 m (Al and SS)
<b>Temperature</b>	0° C to 40° C [32° F to 104° F]	0° C to 40° C [32° F to 104° F]	0° C to 40° C [32° F to 104° F]	0° C to 40° C [32° F to 104° F]
<b>Default Cracking Pressure</b>	10 psi ± 20%	10 psi ± 20%	25 psi ± 20%	10 psi ± 20%
<b>Cracking Pressure Range</b>	5 to 10 psi	Default: 5 to 15 psi Optional: 15 to 25 psi	Default: 15 to 25 psi Optional: 5 to 15 psi	5 to 15 psi
<b>[inch] mm</b>				

## Available Accessories

	Vacuum/Fill Attachment	Vacuum Attachment <sup>1</sup>	N/A	Vacuum Attachment <sup>1</sup>
<b>[inch] mm</b>				

<sup>1</sup> Requires 1/4-NPT Threaded Male Adapter (Sold Separately)