

DEEPSEA
Power & Light[®]



SeaLaser[®] 100



FEATURES

<5 mW red or green laser, dot or line

Delrin[®] housing

2,000 m depth rated

Dual mounting bracket available

Creates and maintains parallel beams

Excellent for scaling and measurement

Accommodates most SeaCam[®] cameras

T: (858) 576-1261
F: (858) 576-0219

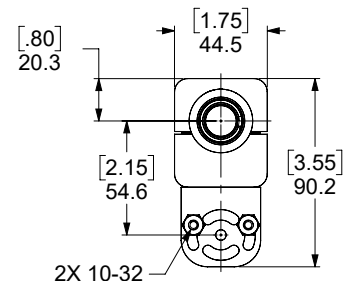
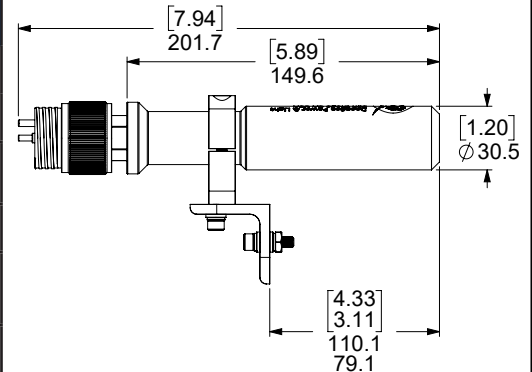
4033 Ruffin Road
San Diego, CA
92123- 1817 USA

www.deepsea.com
sales@deepsea.com



SeaLaser® 100

SeaLaser 100		
Laser	Red Laser	Green Laser
Type	Continuous Wave Semi-conductor laser diode Class III-A ¹	
Beam Diameter	Elliptical 1.8 mm x 0.5 mm	Circular
Wavelength	635 nm	532 nm
Beam Divergence	0.09 mRadians x 0.19 mRadians	
Beam Power	<5mW	<1.2 mRad
Beam Alignment	Beam runout 5 cm at 10 m [2 in. at 33 ft] max	
Beam Type	Dot or line	
Environmental Specifications		
Depth Rating	2,000 m	
Operational Temperature	-10°C to 50°C [14°F to 104°F]	Dot: 1°C to 30°C [32°F to 86°F] ² Line: -10°C to 50°C [14°F to 104°F] ²
Electrical Specifications		
Voltage	7~27 VDC	
Current	250 mA	
Mechanical Specifications		
Housing	Acetal plastic (Delrin®)	
Port	Acrylic	
Outer Diameter	30.5 mm [1.20 in]	
Overall Length	149.6 mm [5.89 in]	
Weight in Air	Laser: 227 g [0.50 lb] Bracket and Laser: 330 g [0.73 lb]	
Weight in Water	Laser: 67 g [0.15 lb] Bracket and Laser: 140 g [0.31 lb]	
Connector		
Default	Impulse BH2MP Contact sales for more options.	
Accessory		
Accessory	Dual SeaLaser Mount	



[inch]
mm

¹ Class III-A output power does not exceed 5 mW. Beam power density may not exceed 2.5 mW/square cm.

² For operation in cold water, DeepSea recommends turning on the green SeaLaser 100 3~5 minutes prior to use. This allows the module to reach optimum operating temperature and full intensity. Please contact DeepSea technical sales for more information.