



MiniKing Sonar Compact Imaging Sonar

Features

- Extremely compact unit
- Full software functionality
- Instant scan reversal and sector scan options
- Inverted head option included in software
- Hard boot protection for transducer
- Cost effective and reliable
- 100m operating range (with hard targets)
- Simple to operate

Applications

- ROV obstacle avoidance and target recognition
- AUV obstacle avoidance and target recognition



MiniKing with auxiliary port

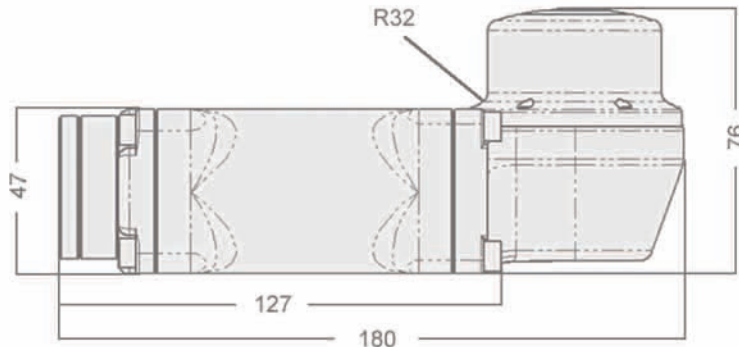
The Tritech MiniKing Sonar is a new concept in high performance products. This very small sonar is available in several configurations enabling it to be fitted to the smallest of ROVs or other underwater carriers. The sonar is controlled by a customer supplied PC or Laptop.

The MiniKing incorporates the very latest electronics and many of the software features normally associated with full sized commercial systems. Tritech believe that although MiniKing is small in both size and cost it should offer the full range of functionality expected from a professional product. The system benefits from the experience gained from Tritech's position as market leader in the supply of small commercial and military sonars.

A version of the MiniKing is also available with an auxiliary port, which enables the user to network a RS232 device. This may be a Tritech altimeter, for example, or a third party sensor. The data output can be displayed alongside the sonar data via the specially designed software.

Fully serviceable and extremely reliable, the MiniKing is the most rugged compact sonar in our range.

Specifications



All measurements in millimetres

Operating frequency	675 kHz
Beamwidth, vertical	40°
Beamwidth, horizontal	3.0°
Range	100 metres (300 feet)
Source level	210db re 1uPA@1m
System bandwidth	35kHz
Scan sectors	360° continuous or 180° forward, left or right
Step speed	Normal, Fast or Super Fast
Instant reversal	Yes
Image measurement	Yes
Inverted head operation	Yes
Power requirements	12, 24, 48 VDC @ 6 VA
Data communication	Opto isolated RS 485 (twisted pair), RS 232 (via modem up to 115kb/s)
Communication requirements	Maximum cable length 1000 metres (using RS 485)
Topside control	Customer supplied PC or Laptop using standard serial comms port. Windows 98, 2000 or XP Operating System.
Software	Tritech SeaNet(OEM) display and control or low level direct command protocol.
Maximum length	180mm
Maximum width	88mm
Maximum height	76mm
Weight in air	1.1 kilograms
Weight in water	0.5 kilograms
Maximum operational depth	1000 metres
Materials	Aluminium alloy-HE30, RPU
Finish	Hard anodised
Standard connector	Tritech 6 pin
Operating temperature	-10°C to +35°C
Storage temperature	-20°C to +50°C

All specifications are subject to change in line with Tritech's policy of continual product development.

Ref: EDS-SON-002.10